

*Highest sales*

at lowest temperatures

**VELANDO Vertical Freezers**



*Linde*

# *Forceful display appeal*

with a very pleasant effect





## High floor space utilisation, plenty of shopping enjoyment

Look forward to a way of presenting merchandise that your customers will enjoy. Huge product facings and excellent product lighting whet customer appetites for everything the Velando has to offer. The very low 25.5-cm front of the cabinet freezer combination accordingly allows the product facing plenty of height, which together with the fully glazed end walls creates an especially magnificent view of the merchandise. The Velando of course also cuts a fine figure next to all other refrigerated cabinets of the Linde Evolution5 product range. Cabinet heights, canopy trim radii, and collision bumper profiles are of the same uniform style. We will naturally deliver Velando to match your company's colour scheme as well.

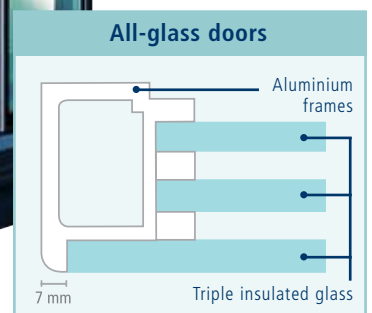
### Benefits for your business

- ▶ Low energy consumption
- ▶ Greatest possible product facings
- ▶ One-of-a-kind lighting concept
- ▶ Attractive merchandise display
- ▶ Highly forceful display appeal
- ▶ High floor space utilisation

# Make an appearance

and sell

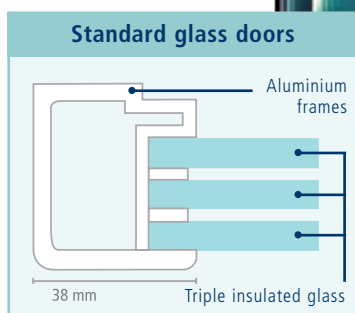
Large glass areas.  
Top merchandise display!



## All-glass design

The Velando in its most exclusive outfit with frameless doors

If you would like to increase the impressive brilliance and long-distance effect of the Velando then you should decide in favour of the Velando all-glass model. The large merchandise display area is visibly enhanced even more by removing the aluminium frames. The design with frameless glass doors blends in perfectly with modern market architecture.



*Standard glass model*  
The Velando with frame sections

# *Full visible surface*

for your merchandise

## See more. Buy more.

The Velando presents a technically enclosed but visibly open view of your products. Huge product facing areas ensure a forceful appeal of merchandise. Fully glazed panoramic end walls also attract customer attention to the Velando from the side and from a great distance.



*Glass, everywhere you look*  
Products, everywhere your  
customers look



*Digital thermometer*

A digital thermometer indicates the exact temperature.



*All-glass design*

Frameless doors blend in perfectly with the architecture of a modern market.



*Ergonomic handles*

Your customers will enjoy opening the cabinet doors using the ideally designed handles.



*Tough collision bumpers*

The elegant appearance of the Velando is lastingly protected by tough collision bumpers.



# Attractions

in all businesses



## *Long-distance effect*

Large-sized glass panels show your variety of products to their best advantage – even from a great distance.



## *Combinatorial analysis*

All cabinets of the Linde Evolution5 product range are perfectly matched.



## *Harmony*

Even long freezer segments can be integrated in your market architecture perfectly.



## *Light*

The extraordinary lighting quality puts and excellent light on your merchandise.



## *Forceful display appeal*

Customers are presented a clearly arranged view of your complete product spectrum.

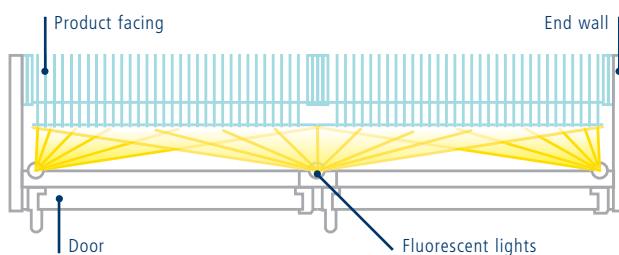


## *Atmosphere*

The Velando puts your customers in a buying mood in the frozen food department as well.

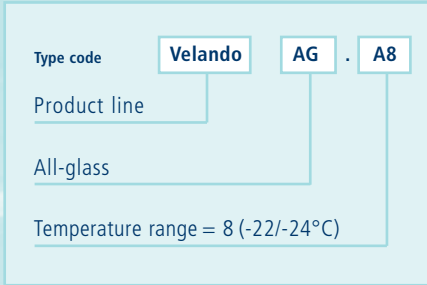
# Your merchandise

in the limelight

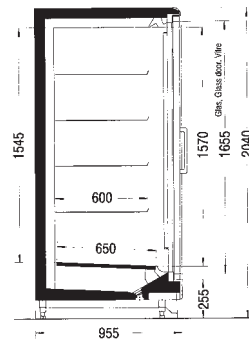


## Unique lighting, unexcelled turnover

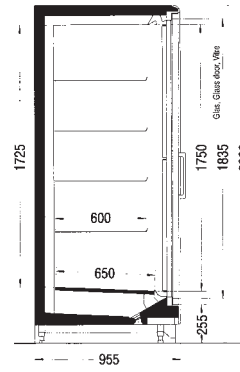
Cold and light: you need both for a product facing that is both reliable and attractive. The Velando uses special high-performance tubes, reflectors, and prisms. With this lighting concept, we have combined opposites: reliable refrigeration and uniform, non-glare illumination of the entire display compartment.



**Velando: Heights 2,040 mm and 2,220 mm, standard glass and all-glass design**



**Velando SG/AG.A8**



**Velando SG/AG.A8L**



<i>Velando</i>	(Modules)	<i>2 doors</i>	<i>3 doors</i>	<i>4 doors</i>	<i>5 doors</i>
Lengths including end walls (50 mm each)	(mm)	1,665	2,445	3,225	4,005
Temperature ranges	(°C)	-18/-20 -22/-24	-18/-20 -22/-24	-18/-20 -22/-24	-18/-20 -22/-24
Net cubic capacity	(l)				
Standard height		1,485	2,230	2,970	3,705
Inside height		1,660	2,485	3,315	4,135
Total display area	(sq metres)	4.75	7.15	9.55	11.90



**Evolution5**  
Made to trade.

## *Supply*

meeting the demand

The refrigerated cabinets we manufacture today set the standard for tomorrow. The **Evolution5** product range from Linde gives every market a dynamic and sales-oriented appearance.

The capability of being able to combine refrigerated display cabinets ensures **greatest possible flexibility** in presenting merchandise. The refrigerated display cabinet architecture enables **maximum utilisation of floor space**. Display cabinet styling that places the **focus on products - perfectly**. The colour concept can be tailored individually to all product assortments and market furnishings. **Reliable temperature control** is guaranteed. Low **energy consumption**. With numerous **fittings and accessories** to meet all of your individual needs.

Linde **Evolution5** creates ideal **shopping conditions** in every market.

*Linde*